

VOLUME 1

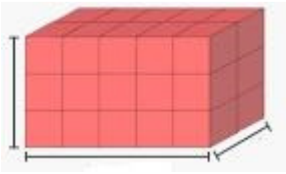
Remember:

Volume = Area x length

1. QUESTION

Find the volume of the following prisms.

- o a) Units for this shape is in cm

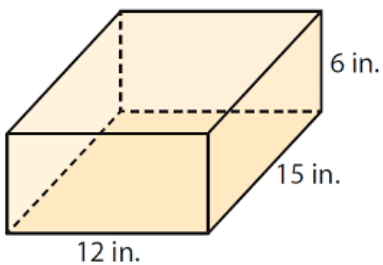


Volume = Area x height

Volume = _____

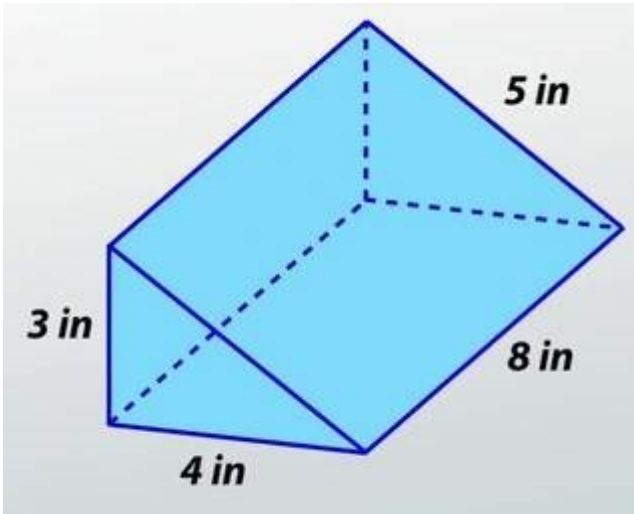
Answer = _____

- b)



Volume = Area x height

Answer = _____

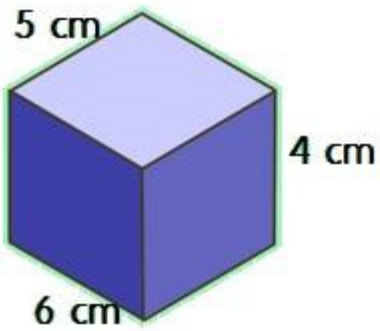


b.

Volume = Area x height

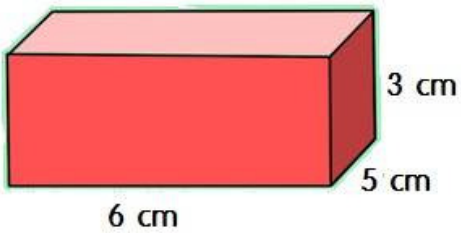
V= _____

c)



Volume = Area x height

V= _____

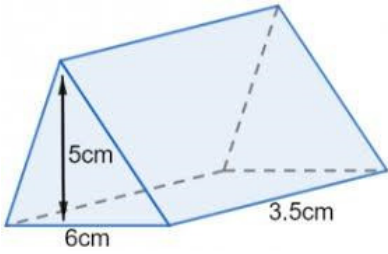


d)

Volume = Area x height

V= _____

e)



Volume = Area x height

Answer =
